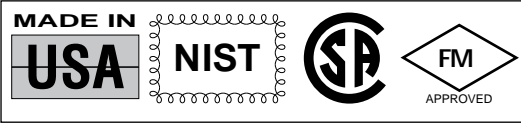


**\$295**  
Model Shown



**SPEC SHEET**  
**LC105**

*Interchangeable with  
Model TC-S*

# ALUMINUM "S" BEAM LOAD CELLS

High Accuracy - Economical Price

## LC105 Series Tension/Compression

± 25 to ± 1,000 lb

± 100 to ± 4,500 N

1 Newton = 0.2248 lb

1 daNewton = 10 Newtons

1 lb = 454 g

1 t = 1000 kg = 2204 lb

☑ **Aluminum for Light Weight and Durability**

☑ **5-Point Calibration Provided**

☑ **FM/CSA Intrinsically Safe**

### SPECIFICATIONS

**Output:** 3 mV/V ±0.0075 mV/V  
Calibrated at 0%, 50%, 100%, 50%, 0%

**Excitation:** 10 Vdc, 15 Vdc max

**Accuracy Class:** ±0.03%

**Linearity:** ±0.03% FSO

**Hysteresis:** ±0.02% FSO

**Repeatability:** ±0.01% FSO

**Zero Balance:** ±1% FSO

**Agency Approval:** FM/CSA Intrinsically

Safe IS/I.II.III/1/CDEFG Standard.

**Operating Temp. Range:**

-40 to +93°C (-40 to +200°F)

**Compensated Temp. Range:**

+17 to +71°C (+60 to +160°F)

**Thermal Effects:** Zero: 0.0013%

FSO/°F Span: 0.0008% Rdg/°F

**Safe Overload:** 150% of Capacity

**Ultimate Overload:** 300% of Capacity

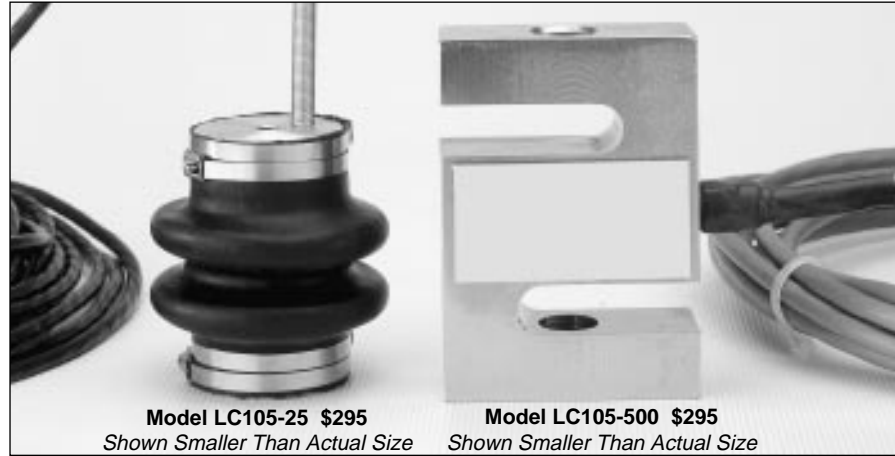
**Output Resistance:** 350 ± 5 ohms

**Full Scale Deflection:** .010" to .020"

**Construction:** Aluminum

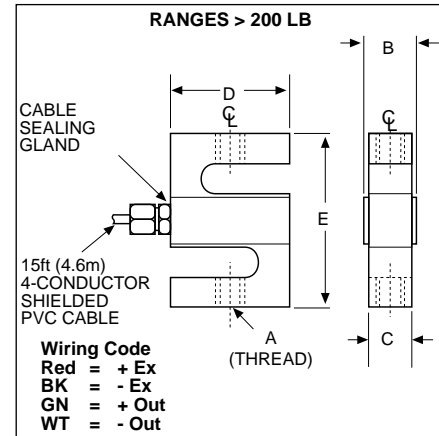
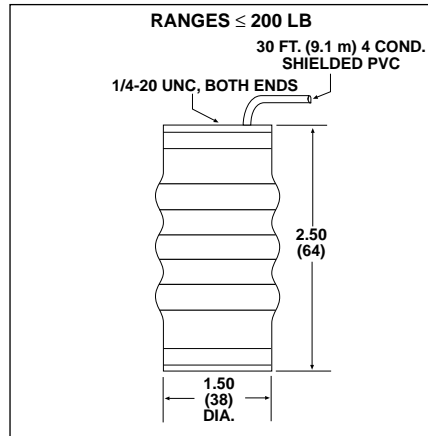
**Electrical:** ≤200 lb: 30 ft (9.1m) 24 awg

≥250 lb: 15 ft (4.6m) 20 awg



**Model LC105-25 \$295**  
Shown Smaller Than Actual Size

**Model LC105-500 \$295**  
Shown Smaller Than Actual Size



**Wiring Code**  
Red = + Ex  
BK = - Ex  
GN = + Out  
WT = - Out

**For Sales and Service  
In U.S.A. and Canada**

**1-800-872-3963<sup>SM</sup>**  
**1-800-USA-DYNE**

International Customers Dial

**(614) 965-9340**

24-Hour FAX (614) 965-9438

**OMEGADYNE<sup>SM</sup> FAX**

OMEGADYNE's 24-Hour  
On-Line Publishing Service

**1-800-344-3963<sup>SM</sup>**  
**1-800-DIG-DYNE**

Document # 3629

**OMEGADYNE, Inc.**

149 Stelzer Court, Sunbury, OH 43074

<http://www.omegadyne.com>

e-mail: [info@omegadyne.com](mailto:info@omegadyne.com)

Formerly  
**THE T-HYDRONICS, INC.**

© COPYRIGHT 1996 OMEGADYNE, INC. ALL RIGHTS RESERVED.

Dimensions Shown in Inches (mm)

Capacity (lb)	A	B	C	D	E	Weight lb (kg)
250-1K	½-20	1.25 (32)	1.0 (25)	2.0 (51)	3.0 (76)	2.5 (1.1)

**Prices  
Shown  
in U.S.  
Dollars**

► **Most Popular Models Highlighted** ◀

**To Order: (Specify Model Number)**

Capacity (lb)	Model Number	Price	Compatible Meters	Load Button		Rod End	
				Model Number	Price	Model Number	Price
±25	LC105-25	\$295	INFW, INFS, INFCS	-	-	-	-
±50	LC105-50	295	INFW, INFS, INFCS	-	-	-	-
±100	LC105-100	295	INFW, INFS, INFCS	-	-	-	-
±200	LC105-200	295	INFW, INFS, INFCS	-	-	-	-
±250	LC105-250	295	INFW, INFS, INFCS	LBC-012	\$40	REC-012M	\$35
±500	LC105-500	295	INFW, INFS, INFCS	LBC-012	40	REC-012M	35
±1,000	LC105-1K	295	INFW, INFS, INFCS	LBC-012	40	REC-012M	35

Interchangeable with Model TC-S

Metric Ranges Available - Consult Engineering

Ordering Examples: 1.) LC105-200 is a ±200 lb capacity load cell, \$295.

2.) LC105-1K is a ±1,000 lb capacity load cell, \$295. Matching Rod End REC-012M, \$35 ea.

Printed On Recycled Paper